

# RJ45 male insert - VS-08-ST-RJ45

1688573

<https://www.phoenixcontact.com/pc/products/1688573>

Please be informed that the data shown in this PDF document is generated from our Online Catalog. Please find the complete data in the user documentation. Our General Terms of Use for Downloads are valid.

---



RJ45 pin insert, CAT5e, 8-pos., shielded, IDC connection method, for litz wires AWG 26 and solid wires AWG 26 ... 24

---

# RJ45 male insert - VS-08-ST-RJ45



1688573

<https://www.phoenixcontact.com/pc/products/1688573>

## Commercial Data

Item number	1688573
Packing unit	5 pc
Minimum order quantity	1 pc
Product Key	ABNAAE
Catalog Page	Page 168 (PC-2007)
GTIN	4017918622404
Weight per Piece (including packing)	2.93 g
Weight per Piece (excluding packing)	2.84 g
Customs tariff number	85366990
Country of origin	US

1688573

<https://www.phoenixcontact.com/pc/products/1688573>

## Technical Data

### Product properties

Type	RJ45
Product type	Male insert
Number of positions	8
No. of cable outlets	1
Number of slots	1
Type	Male
Shielded	yes
Cable outlet	straight

### Insulation characteristics

Overvoltage category	II
Degree of pollution	2

### Electrical properties

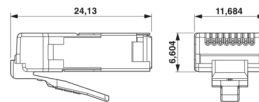
Rated voltage (III/3)	72 V (DC)
Rated current	1.5 A

### Connection data

#### Connection technology

Connection method	IDC connection
-------------------	----------------

### Dimensions

Dimensional drawing	
Width	11.6 mm
Height	12.1 mm
Length	24.1 mm

### Material specifications

Flammability rating according to UL 94	V0
Contact material	Copper alloy
Contact surface material	Au/Ni
Contact carrier material	Thermoplastic

### Connector

Insertion/withdrawal cycles	≥ 750
-----------------------------	-------

# RJ45 male insert - VS-08-ST-RJ45



1688573

<https://www.phoenixcontact.com/pc/products/1688573>

## Environmental and real-life conditions

### Ambient conditions

Ambient temperature (operation)
---------------------------------

-40 °C ... 85 °C
------------------

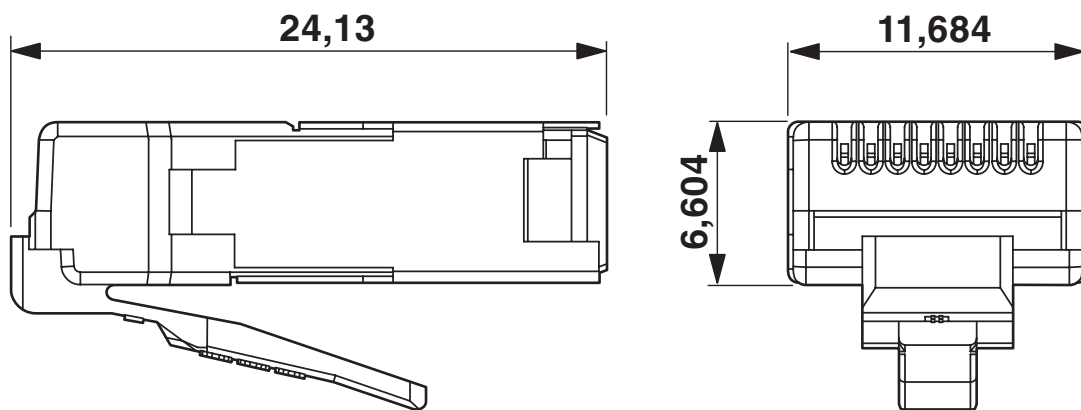
# RJ45 male insert - VS-08-ST-RJ45

1688573

<https://www.phoenixcontact.com/pc/products/1688573>

## Drawings

Dimensional drawing



RJ45 male insert

# RJ45 male insert - VS-08-ST-RJ45



1688573

<https://www.phoenixcontact.com/pc/products/1688573>

## Approvals



**EAC**

Approval ID: B.01687

# RJ45 male insert - VS-08-ST-RJ45



1688573

<https://www.phoenixcontact.com/pc/products/1688573>

## Classifications

### ECLASS

ECLASS-9.0	27440205
ECLASS-10.0.1	27440205
ECLASS-11.0	27440223

### ETIM

ETIM 8.0	EC003557
----------	----------

### UNSPSC

UNSPSC 21.0	39121400
-------------	----------

# RJ45 male insert - VS-08-ST-RJ45



1688573

<https://www.phoenixcontact.com/pc/products/1688573>

## Environmental Product Compliance

China RoHS	Environmentally friendly use period: unlimited = EFUP-e
	No hazardous substances above threshold values



# RJ45 male insert - VS-08-ST-RJ45

1688573

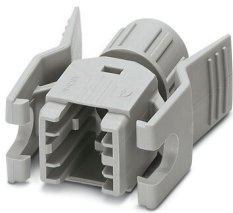
<https://www.phoenixcontact.com/pc/products/1688573>

## Accessories

### RJ45 sleeve housings

RJ45 sleeve housings - VS-08-T-RJ45/IP 20 - 1688638

<https://www.phoenixcontact.com/pc/products/1688638>



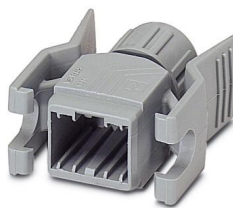
RJ45 sleeve housing IP20, for pin insert VS-08-ST-RJ45, with push-pull interlocking for panel mounting frames, for cable cross section 5.0 mm ... 6.5 mm

---

### RJ45 sleeve housings

RJ45 sleeve housings - VS-08-T-G-RJ45/IP20 - 1652295

<https://www.phoenixcontact.com/pc/products/1652295>



RJ45 sleeve housing, IP20, for pin insert VS-08-ST-RJ45, with push-pull interlocking for panel mounting frames, inverted design, for Factoryline modular managed switches, for cable cross section 5.0 mm ... 6.5 mm

# RJ45 male insert - VS-08-ST-RJ45

1688573

<https://www.phoenixcontact.com/pc/products/1688573>



## RJ45 sleeve housings

RJ45 sleeve housings - VS-08-T-RJ45/IP67 - 1688696

<https://www.phoenixcontact.com/pc/products/1688696>



RJ45 sleeve housing, IP67, for pin insert VS-08-ST-RJ45, with push-pull interlocking for panel mounting frames, for cable cross section 5.0 mm ... 6.5 mm

---

## Crimp insert

Crimp insert - CRIMPFOX LC-RJ 45S - 1207420

<https://www.phoenixcontact.com/pc/products/1207420>



Die for the CRIMPFOX LC basic crimping pliers to crimp the VARIOSUB RJ45 male insert VS-08-ST-RJ45

# RJ45 male insert - VS-08-ST-RJ45

1688573

<https://www.phoenixcontact.com/pc/products/1688573>



## RJ45 bending protection sleeve

RJ45 bending protection sleeve - VS-08-KS/GR - 1689213

<https://www.phoenixcontact.com/pc/products/1689213>



RJ45 bend protection sleeve, for pin insert VS-08-ST-RJ45, cable cross section up to 6 mm, color: gray

---

## RJ45 bending protection sleeve

RJ45 bending protection sleeve - VS-08-KS/GN - 1689226

<https://www.phoenixcontact.com/pc/products/1689226>



RJ45 bend protection sleeve, for pin insert VS-08-ST-RJ45, cable cross section up to 6 mm, color: green

# RJ45 male insert - VS-08-ST-RJ45

1688573

<https://www.phoenixcontact.com/pc/products/1688573>



## Crimping pliers

Crimping pliers - CRIMPFOX LC - 1206696

<https://www.phoenixcontact.com/pc/products/1206696>



Basic crimping pliers, with short handles, without crimp inserts, with locator takeup

---

Phoenix Contact 2022 © - all rights reserved

<https://www.phoenixcontact.com>

PHOENIX CONTACT GmbH & Co. KG

Flachsmarktstraße 8

D-32825 Blomberg

+49 (0) 5235-3 00

[info@phoenixcontact.com](mailto:info@phoenixcontact.com)