

Control cabinet feed-through - CUC-BH-M12D1PBK-S/R4BE



1414398

<https://www.phoenixcontact.com/pc/products/1414398>

Please be informed that the data shown in this PDF document is generated from our Online Catalog. Please find the complete data in the user documentation. Our General Terms of Use for Downloads are valid.



Control cabinet feed-through, M12, 4-pos., D-coded to RJ45 socket, socket entry: 180°, IP65/IP67

Your advantages

- Compact design
- 100 Mbps
- IP65/67
- UL

Control cabinet feed-through - CUC-BH-M12D1PBK-S/R4BE



1414398

<https://www.phoenixcontact.com/pc/products/1414398>

Commercial Data

Item number	1414398
Packing unit	1 pc
Minimum order quantity	1 pc
Note	Made to Order (non-returnable)
Product Key	ABNGAA
Catalog Page	Page 348 (C-2-2019)
GTIN	4055626166759
Weight per Piece (including packing)	34.14 g
Weight per Piece (excluding packing)	33.6 g
Customs tariff number	85366990
Country of origin	DE

Control cabinet feed-through - CUC-BH-M12D1PBK-S/R4BE



1414398

<https://www.phoenixcontact.com/pc/products/1414398>

Technical Data

Product properties

Product type	Data plug
Number of positions	4
Shielded	yes
Cable outlet	straight
Thread type	M12

Electrical properties

Rated voltage (III/3)	72 V (DC)
Rated surge voltage	0.8 kV
Rated current	1.75 A
Nominal voltage U_N	48 V
Nominal current I_N	0.5 A

Material specifications

Color	black
Flammability rating according to UL 94	V0
Material of grip body	PA
Contact material	Copper alloy
Housing material	PA

Connector

Insertion/withdrawal cycles	≥ 100
-----------------------------	------------

Environmental and real-life conditions

Ambient conditions

Degree of protection	IP65/IP67
Ambient temperature (operation)	-25 °C ... 85 °C

Mounting

Mounting type	Rear mounting
---------------	---------------

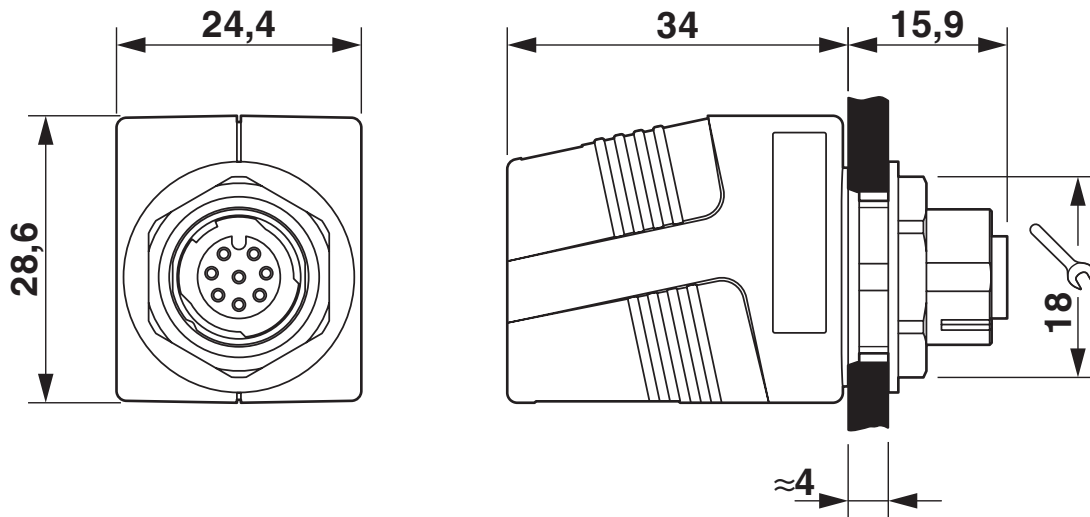
Control cabinet feed-through - CUC-BH-M12D1PBK-S/R4BE

1414398

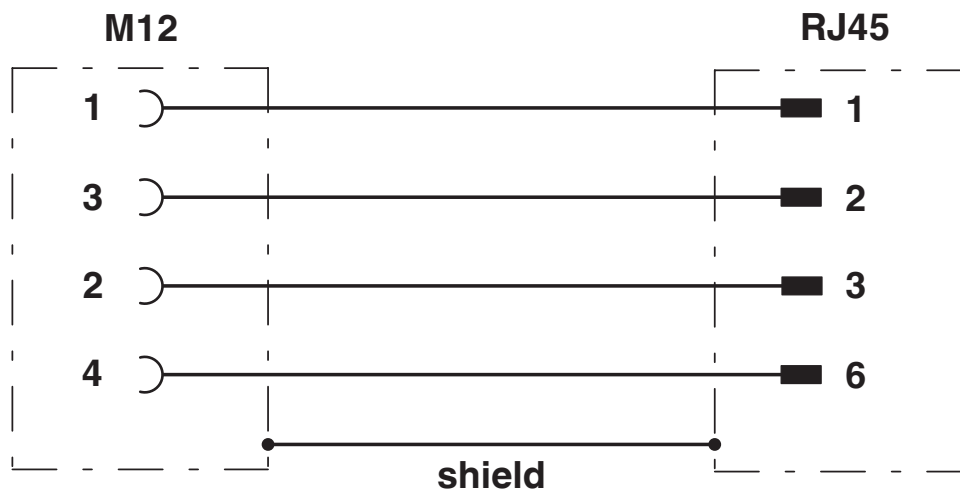
<https://www.phoenixcontact.com/pc/products/1414398>

Drawings

Dimensional drawing



Circuit diagram



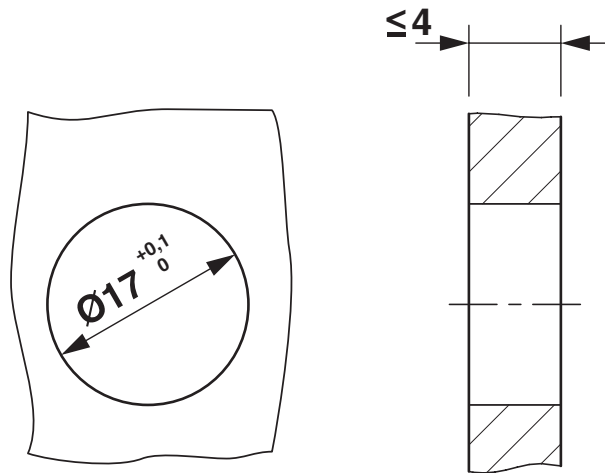
Circuit diagram

Control cabinet feed-through - CUC-BH-M12D1PBK-S/R4BE

1414398

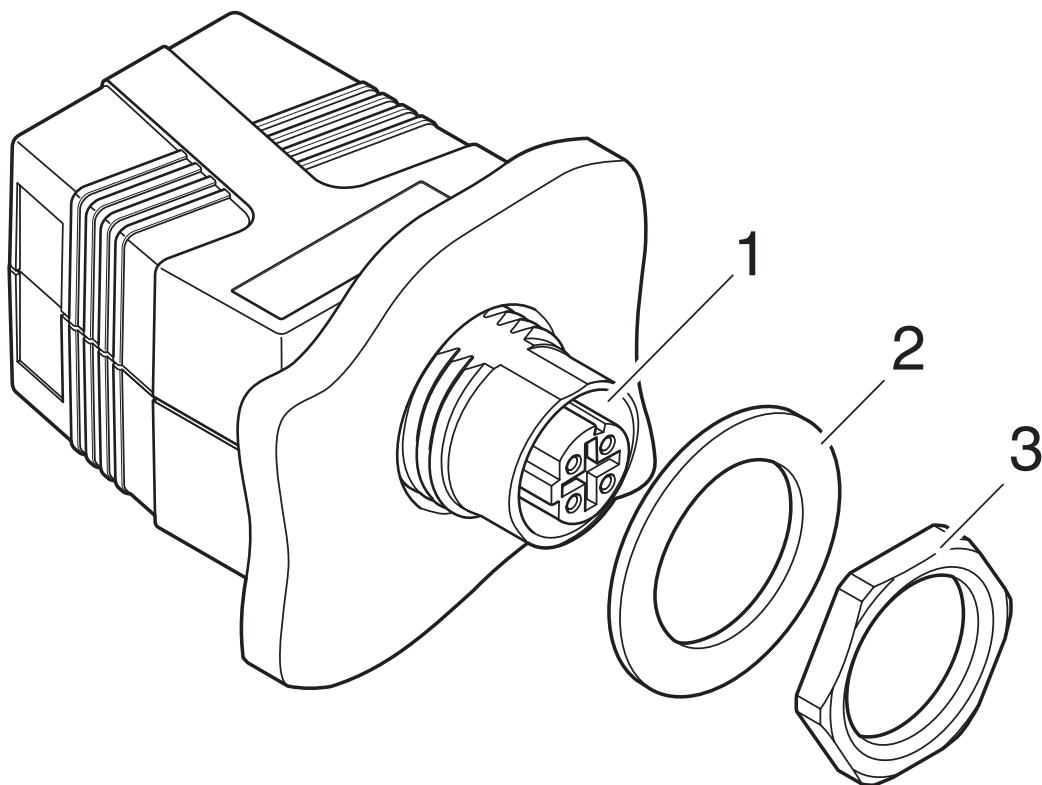
<https://www.phoenixcontact.com/pc/products/1414398>

Dimensional drawing



Mounting cutout

Exploded view



Exploded drawing

Control cabinet feed-through - CUC-BH-M12D1PBK-S/R4BE



1414398

<https://www.phoenixcontact.com/pc/products/1414398>

Approvals



EAC

Approval ID: B.01687



UL Listed

Approval ID: E335024-20140306

	Nominal Voltage U_N	Nominal Current I_N	Cross Section AWG	Cross Section mm^2
	60 V	0.5 A	-	-



cUL Listed

Approval ID: E335024-20140306

	Nominal Voltage U_N	Nominal Current I_N	Cross Section AWG	Cross Section mm^2
	60 V	0.5 A	-	-

cULus Listed

Control cabinet feed-through - CUC-BH-M12D1PBK-S/R4BE



1414398

<https://www.phoenixcontact.com/pc/products/1414398>

Classifications

ECLASS

ECLASS-9.0	27141134
ECLASS-10.0.1	27141134
ECLASS-11.0	27141134

ETIM

ETIM 8.0	EC001283
----------	----------

UNSPSC

UNSPSC 21.0	39121400
-------------	----------

Control cabinet feed-through - CUC-BH-M12D1PBK-S/R4BE



1414398

<https://www.phoenixcontact.com/pc/products/1414398>

Environmental Product Compliance

REACH SVHC	Lead 7439-92-1
China RoHS	Environmentally Friendly Use Period = 50 years
	For information on hazardous substances, refer to the manufacturer's declaration available under "Downloads"

Phoenix Contact 2022 © - all rights reserved

<https://www.phoenixcontact.com>

PHOENIX CONTACT GmbH & Co. KG

Flachsmarktstraße 8

D-32825 Blomberg

+49 (0) 5235-3 00

info@phoenixcontact.com