

Ferrule - Al 2,5 - 8 GY-B

3201550

<https://www.phoenixcontact.com/pc/products/3201550>



Please be informed that the data shown in this PDF document is generated from our Online Catalog. Please find the complete data in the user documentation. Our General Terms of Use for Downloads are valid.

Ferrule, sleeve length: 8 mm, length: 14 mm, color: gray



Your advantages

- The taped ferrules were developed specifically for the crimping machine CF 3000 -2,5
- Available in the main color ranges up to 2.5 mm²
- Can be used to wire all terminal blocks, especially those of the CLIPLINE complete system

Ferrule - AI 2,5 - 8 GY-B

3201550

<https://www.phoenixcontact.com/pc/products/3201550>



Commercial Data

Item number	3201550
Packing unit	500 pc
Minimum order quantity	500 pc
Sales Key	05
Product Key	BH3414
Catalog Page	Page 515 (C-3-2019)
GTIN	4017918126261
Weight per Piece (including packing)	0.238 g
Weight per Piece (excluding packing)	0.243 g
Customs tariff number	85369010
Country of origin	DE

Ferrule - Al 2,5 - 8 GY-B

3201550

<https://www.phoenixcontact.com/pc/products/3201550>

Technical Data

Product properties

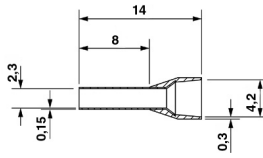
Product type	Ferrule
Conductor category	Stranded conductors, class 2, 5, 6 / B, C, K, M

Connection data

Conductor connection

Conductor cross section flexible max.	2.5 mm ²
Conductor cross section AWG max.	14
Stripping length	11 mm

Dimensions

Dimensional drawing	
Length	14 mm
Sleeve length	8 mm
Maximum stripping length	11 mm
Ferrule diameter	2.3 mm
Sleeve wall thickness	0.15 mm
Insulating collar thickness	0.3 mm
Inner dimensions of the insulating collar	4.2 mm

Material specifications

Color	gray
Material	CU-DHP
Flammability rating according to UL 94	HB
Coating	tin-plated (galvanic)
Components	free from silicone and halogen

Connector

Material	CU-DHP
Material	CU-DHP

Mechanical properties

Technical data

Sleeve length	8 mm
---------------	------

Environmental and real-life conditions

Ferrule - Al 2,5 - 8 GY-B



3201550

<https://www.phoenixcontact.com/pc/products/3201550>

Ambient conditions

Permanent temperature	105 °C (-40°C no load / 0°C dynamic load)
Short-term temperature	120 °C

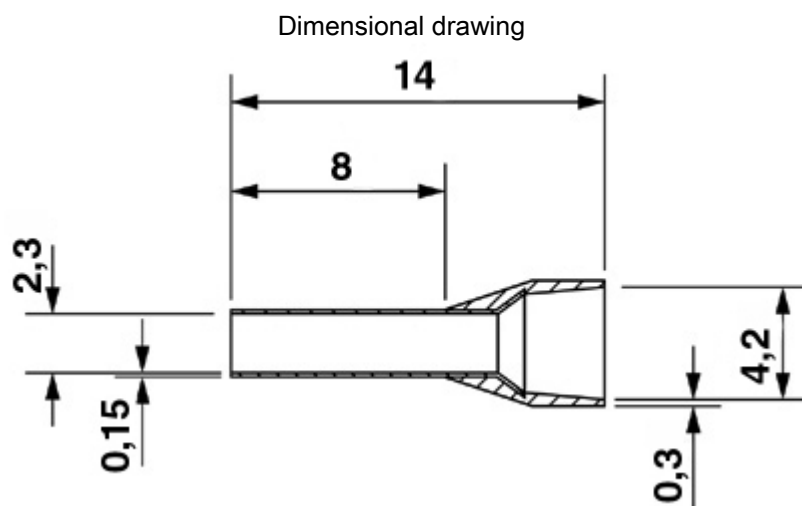
Ferrule - Al 2,5 - 8 GY-B

3201550

<https://www.phoenixcontact.com/pc/products/3201550>



Drawings



Ferrule - AI 2,5 - 8 GY-B



3201550

<https://www.phoenixcontact.com/pc/products/3201550>

Approvals



CSA

Approval ID: 247397



CSAus

Approval ID: 247397

cCSAus

Ferrule - AI 2,5 - 8 GY-B

3201550

<https://www.phoenixcontact.com/pc/products/3201550>



Classifications

ECLASS

ECLASS-9.0	27400201
ECLASS-10.0.1	27400201
ECLASS-11.0	27400201

ETIM

ETIM 8.0	EC000005
----------	----------

UNSPSC

UNSPSC 21.0	27121700
-------------	----------

Ferrule - AI 2,5 - 8 GY-B

3201550

<https://www.phoenixcontact.com/pc/products/3201550>



Environmental Product Compliance

China RoHS	Environmentally friendly use period: unlimited = EFUP-e
	No hazardous substances above threshold values

Phoenix Contact 2022 © - all rights reserved
<https://www.phoenixcontact.com>

PHOENIX CONTACT GmbH & Co. KG
Flachmarktstraße 8
D-32825 Blomberg
+49 (0) 5235-3 00
info@phoenixcontact.com